

Application

- Wall mount
- Adjustable armature
- Concealed wiring
- Shipping weight: 2 lbs. (0.9 kg)

Features

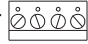
- Total projection: 3-3/4" (95mm)
- Adjustable armature rotation up and down, back and forth for better alignment.
- Cannot be use with 900 base or spacers.
- Can be used without adjustment piece making it a model 997
- Mounting requirements: 2" x 4" x 2-1/2" (51 x 102 x 64mm) outlet box
- Wall must be properly reinforced and outlet box adequately fastened
- 2 year limited warranty

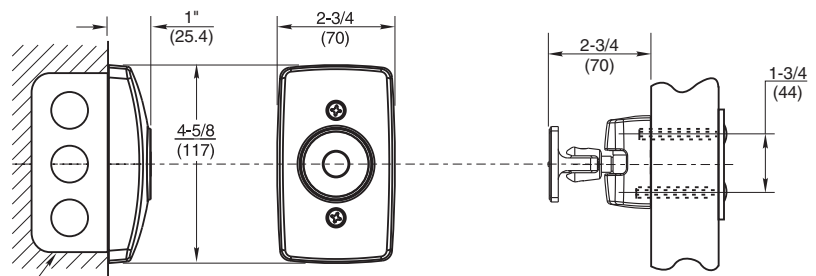
Compliance

- ANSI/C00011

Electrical Data

- Voltage and current:

120VAC, 60Hz., .020 amp	} 
24VAC/DC, 60Hz., .020 amp	
12VDC, .040 amp	
For 50-55 lbs. of holding force, specify voltage	
120VAC, 60Hz .017 amp	
24VAC, 60Hz .080 amp	
24VDC, .068amp	
12VDC, .180amp	
240VAC, 50/60Hz. .009 amp	



Application

- Wall mount
- Surface wiring
- Shipping weight: 3 lbs. (1.4 kg)

Features

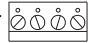
- Total projection: 4-1/8" (105mm)
- Mounting requirements: 1-1/2" (38mm) deep adapter housing
- Wall must be properly reinforced
- 2 year limited warranty

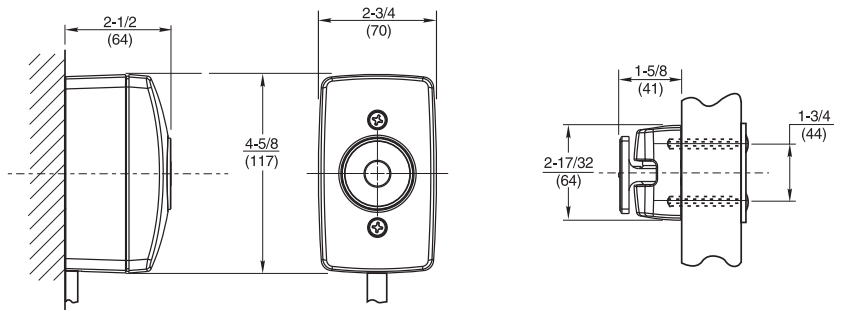
Compliance

- ANSI/C00011

Electrical Data

- Voltage and current:

120VAC, 60Hz., .020 amp	} 
24VAC/DC, 60Hz., .020 amp	
12VDC, .040 amp	
For 50-55 lbs. of holding force, specify voltage	
120VAC, 60Hz .017 amp	
24VAC, 60Hz .080 amp	
24VDC, .068amp	
12VDC, .180amp	
240VAC, 50/60Hz. .009 amp	



RIXSON[®]
ASSA ABLOY