

- Exceeds American National Standard Z358.1 Specifications
- Durable, Ceramic Valve
- Precise 20° Swing-Down Activation
- Durable Anti-Rotational Deck-Mount or Wall-Mount Units
- Chrome-Plated Brass on Exposed Piping and Fittings
- Universal Identification Sign and Inspection Tag Included



Specifications

Unit design saves space and fits easily into any work environment. Eye and eye/face wash units operate quickly by pulling swing arm down 90° over sink. Both deck-mount and wall-mount designs are available. New vandal resistant ceramic valve limits wear and tear on moving parts, providing dependability and long lasting performance. Safe, steady water flow under varying water supply conditions from 30-90 PSI is assured by integral flow. Eye/face wash and sprayheads contain an antimicrobial agent to protect the sprayheads (S19-270JD and S19-270JW only).

This plumbing fixture is not intended to dispense water for human consumption through drinking or for preparation of food or beverages.

Standard Equipment

Eyewash Sprayhead Assembly

Chrome-plated brass sprayhead assembly with twin soft-flow eyewash heads and protective sprayhead covers. The integral flow control assures safe, steady flow under varying water supply conditions from 30–90 PSI. (S19-270HD and S19-270HW).

Eye/Face Wash Sprayhead Assembly

Twin perforated-disc eye/face wash heads with protective sprayhead covers. Gentle spray bathes eyes and face (S19-270JD and S19-270JW).

Valve

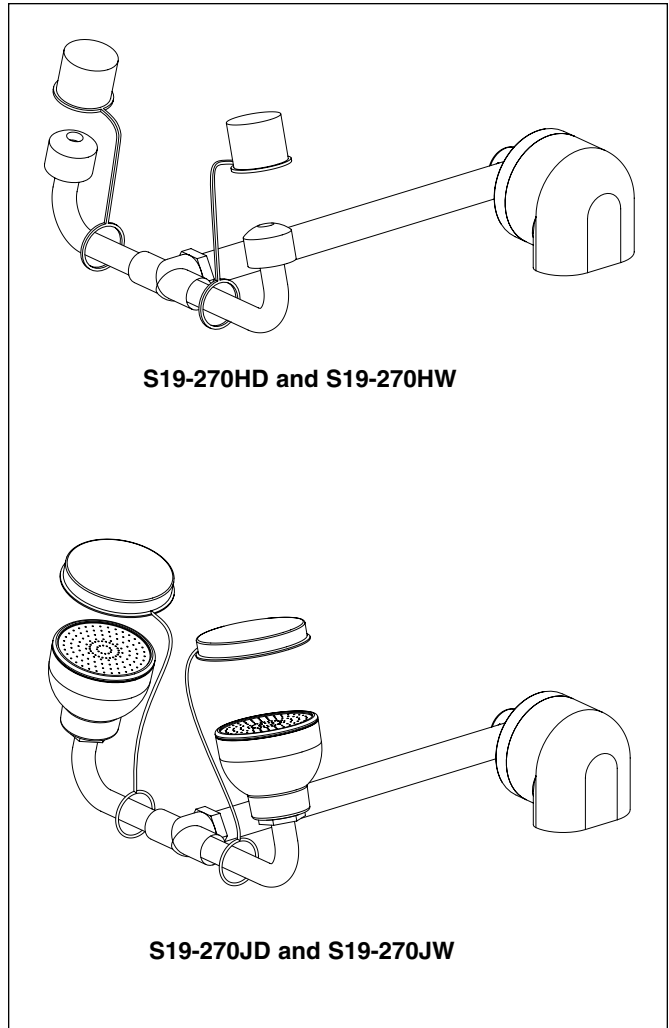
Ceramic ½" NPT stay-open valve. The ceramic discs provide a precise 20° activation and deactivation angle, minimizing excessive splashing when the unit is activated.

Pipe and Fittings

Chrome-plated brass.

Water Supply

½" NPT.



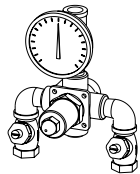
S19-270HD and S19-270HW

S19-270JD and S19-270JW

Recommended Option:

Navigator S19-2000 EFX8
Emergency Thermostatic Mixing Valve

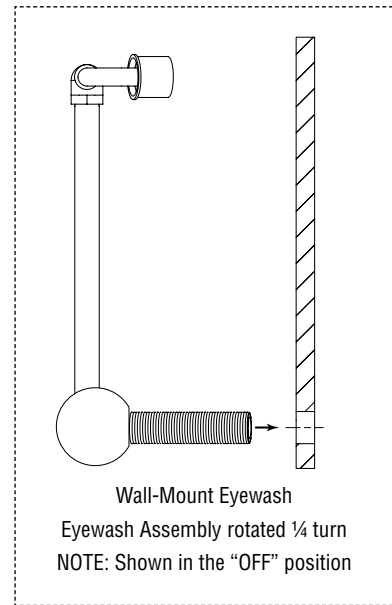
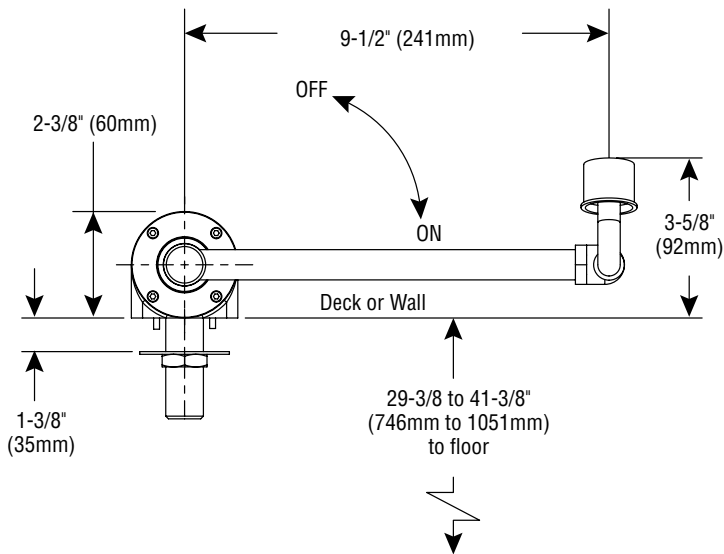
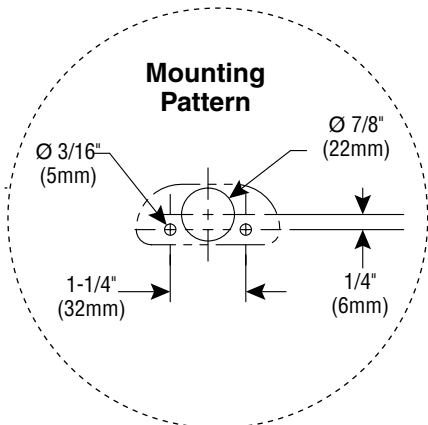
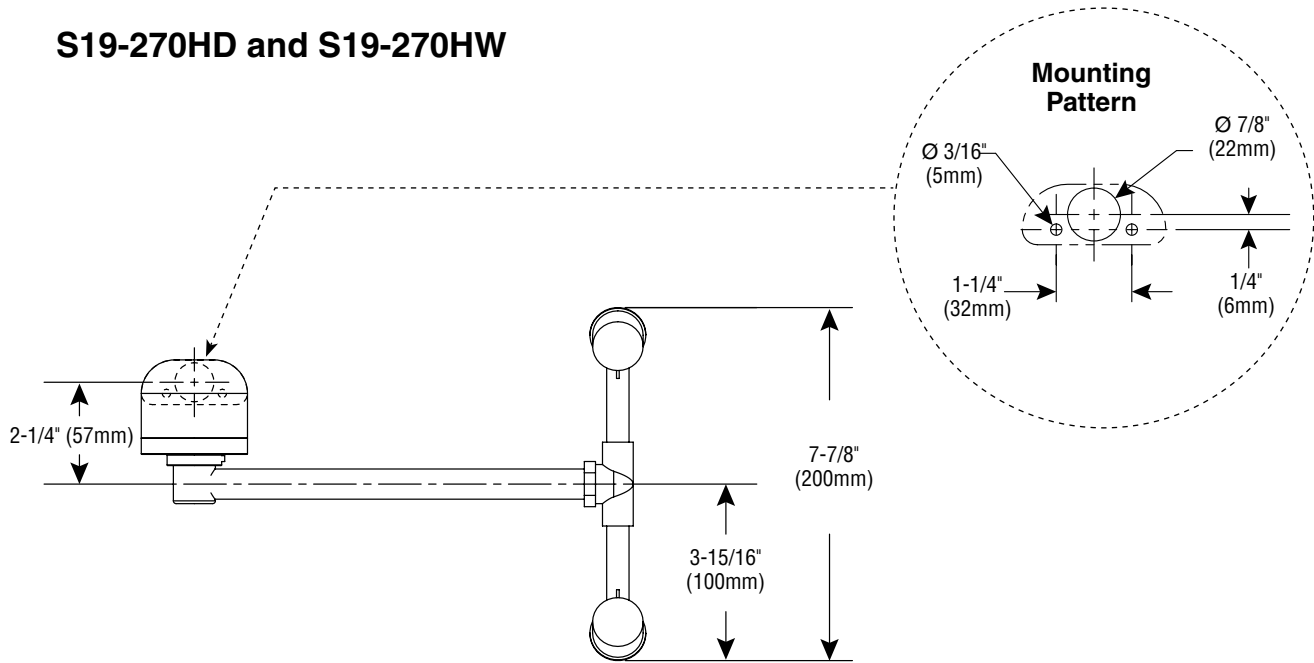
NAVIGATOR



Satisfies ANSI Z358.1
tepid water requirements.

Model	Description
S19-270HD	Deck-Mount Swing-Down Eyewash Unit
S19-270HW	Wall-Mount Swing-Down Eyewash Unit
S19-270JD	Deck-Mount Swing-Down Eye/Face Wash Unit
S19-270JW	Wall-Mount Swing-Down Eye/Face Wash Unit
S19-2000	Navigator EFX8 - Emergency Thermostatic Mixing Valve

S19-270HD and S19-270HW



S19-270JD and S19-270JW

